

Henan Weigu Intelligent Technology Co., Ltd.

Address: No.169 Xuesong Road,  
National High-Tech zone, Zhengzhou, 450001,China

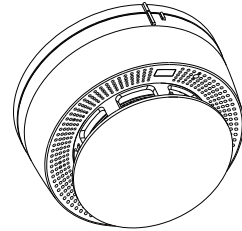
E-mail: sales@airradio.cn

TEL:+86-371-67169566

Web.: www.weiguopay.com

# JTY-GF-YB010 Independent Smoke Detector

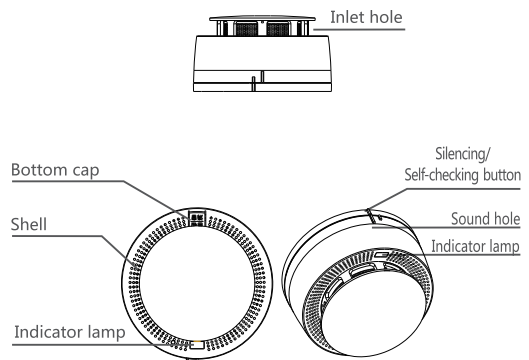
## Product Manual



### 1 Summary

JTY-GF-YB010, an independent smoke detector with photoelectric which can detect the smoke in fire ground and timely send out the alarm signal.

### 2 Components of Structure



### 3 Technical Parameters

Power Supply	CR2 3.0VLi-ion
Battery	2400mAH
Battery Lifetime	5 years
Alarm Sound	> 85dB/3m
Temp	-10°C ~ +50°C ;
Hum	≤95% , No Condensation
Standard	comply with EN14604

### 4 Operation

a. Alarm function: When the smoke concentration reaches the preset limit, the device will continuously give sound of “di—di—di” and the indication light keep flashing in every 3 seconds. If the smoke concentration comes below the limit, it will resume to the normal working status.

b. Noise Muting function: When the device give audible and visual alarm, press the button, the device will become silent, only the indication light keep flashing. However, if the smoke concentration keeps always higher than the limit, the device shall give sound alarm again in 60 seconds after you press the button.

HENAN WEIGUO INTELLIGENT TECHNOLOGY CO.,LTD

ADD: 169 Xuesong Road, National&High Tech Zone,  
Zhengzhou 450001, Henan, China

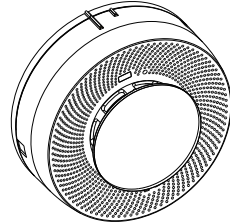
TEL:+86-371-67169566

Email:sales@airradio.cn

## JTY-GF-YB020

# Independent Smoke Detector

### Product Manual

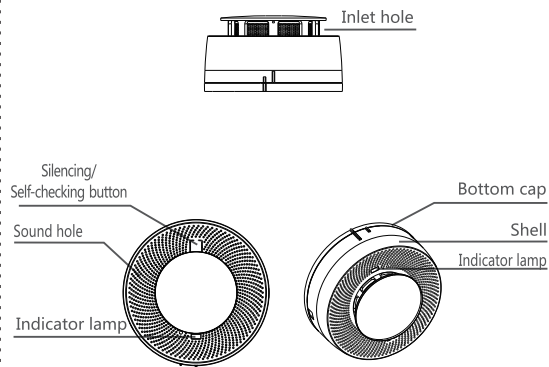


www.weiguopay.com

## 1 Summary

JTY-GF-YB020, an independent smoke detector with photoelectric which can detect the smoke in fire ground and timely send out the alarm signal. The device has unlimited communication function. Users could check the working status of the device. When a fire break out, the user is informed of the alarm through the cloud in time.

## 2 Components of Structure



## 3 Technical Parameters

Model Number	JTY-GW- YB020
Communication Mode	NB-IoT
Power Supply	CR2 3.0VLi-ion
Battery	2400mAH
Battery Lifetime	5 years
Alarm Sound	> 85dB/3m
Temp	-10°C ~ +50°C ;
Hum	≤95% , No Condensation
Standard	comply with EN14604

## 4 Operation

a. Alarm function: When the smoke concentration reaches the preset limit, the device will continuously give sound of “di—di—di” and the indication light keep flashing in every 3 seconds. If the smoke concentration comes below the limit, it will resume to the normal working status.

b. Noise Muting function: When the device give audible and visual alarm, press the button, the device will become silent, only the indication light keep flashing. However, if the smoke concentration keeps always higher than the limit, the device shall give sound alarm again in 60 seconds after you press the button.